

# Counter-A-SYST®

For medium to heavy flip-up counters

## OVERVIEW

The Counter-A-SYST® counterbalance is designed to provide assisted lifting force and mid-span balancing, allowing safety and usability for flip-up counter users.

## FEATURES AND BENEFITS

- Neutralizes the weight of the countertop for effortless opening
- Holds securely in open, closed and in-between positions
- No separate hinge required—hinge is incorporated into unit.
- Weightless, providing smooth motion and softer, quieter closing
- Maintenance Free. Manufactured without compressed gases, oils, or service schedules
- Offering custom product designs for a variety of applications
- Die Wall Kit available (sold separately)

## APPLICATIONS

- Restaurants, Bars and Nightclubs
- Schools and Universities
- Hotels and Motels
- Resorts and Casinos
- Hospitals and Medical Centers
- Libraries
- Cafeterias
- Reception Areas
- Work Stations
- Stadiums and Concert Arenas

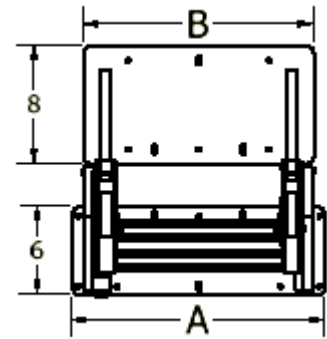
## CounterBalance

Safe.

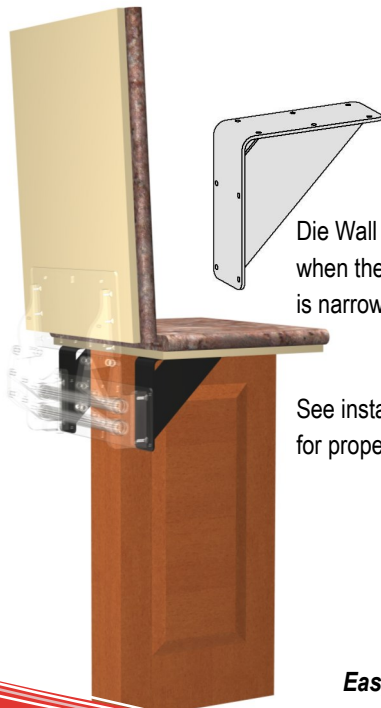
Silent.

Reliable.

MADE IN USA



	A (in)	B (in)
CAS-325	17	15 1/2
CAS-326	19	17 1/2
CAS-327	22	20 1/2
CAS-328	23 1/2	22



Die Wall Kit is to be used when the mounting surface is narrower than the unit.

See installation instructions for proper use.



**Easy installation instructions assure minimum effort to install Counter-A-SYST in most granite, wood and synthetic flip-up counters.**



# Calculate the Weight of the Flip-up Counter



Measure all countertop components, including the trim and substrate material.  
Add measurements to the table to calculate the countertop weight.

	Length (in)	X	Width (in)	X	Thickness (in)	X	Density (lbs. / in <sup>3</sup> )	=	Weight (lbs.)
STONE	_____	X	_____	X	_____	X	0.0972	=	_____
QUARTZ	_____	X	_____	X	_____	X	0.0867	=	_____
CORIAN	_____	X	_____	X	_____	X	0.0613	=	_____
WOOD	_____	X	_____	X	_____	X	0.022	=	_____
STAINLESS	_____		_____		_____				
STEEL	_____	X	_____	X	16 ga = 0.0625" 22 ga = 0.0312"	X	0.285	=	_____
MDF	_____	X	_____	X	_____	X	0.029	=	_____
PLYWOOD	_____	X	_____	X	_____	X	0.024	=	_____
BRONZE	_____	X	_____	X	_____	X	0.321	=	_____
OTHER	_____	X	_____	X	_____	X	<i>if unknown, call for assistance</i>	=	_____
<b>Total Countertop Weight (lbs.) =</b>									_____



## Counter-A-SYST® Selection Chart

Use **Lift-A-SYST® II** for sizes smaller than **CAS 325**. Go to [www.liftasyst.com](http://www.liftasyst.com) or call (215) 957-9260 for custom sizes.

