

Serv-A-SYST® Installation Guidelines (SIDE A)

Manufactured by CounterBalance Corporation, 1025 Louis Drive, Warminster, PA 18974

T: 215-957-9260 F: 215-957-9263

OVERVIEW

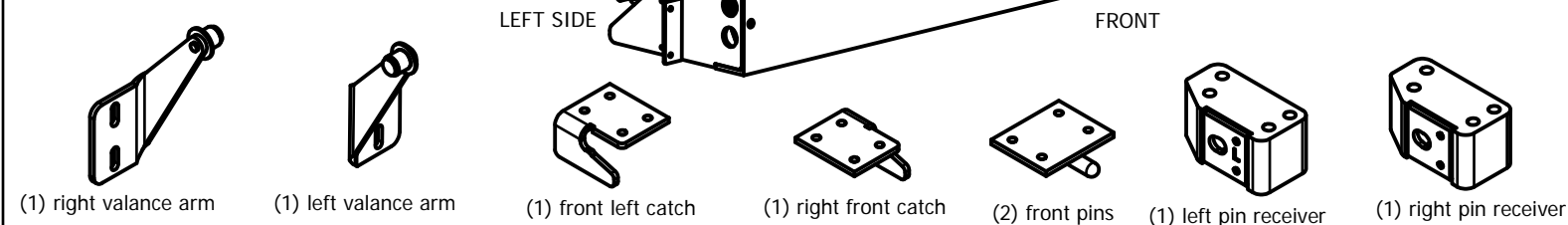
When the Serv-A-SYST is used in an ADA application the installer should verify ADA compliance with local building inspector.

RECOMMENDED TOOLS & HARDWARE

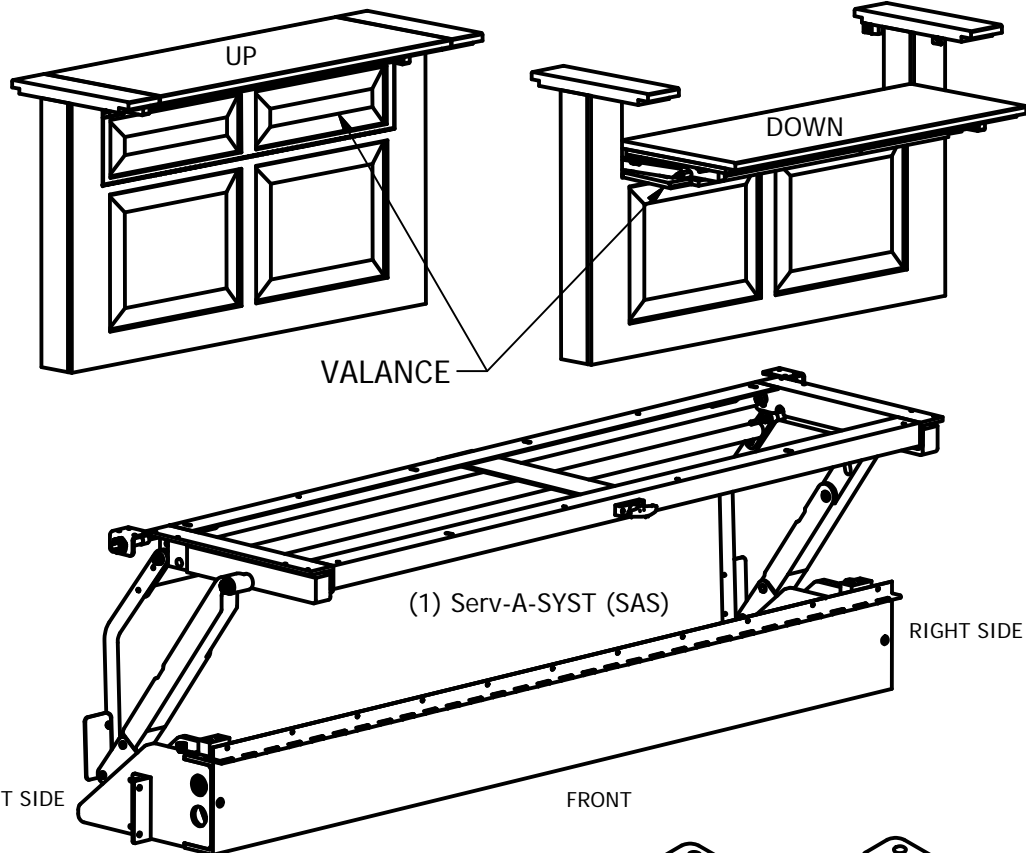
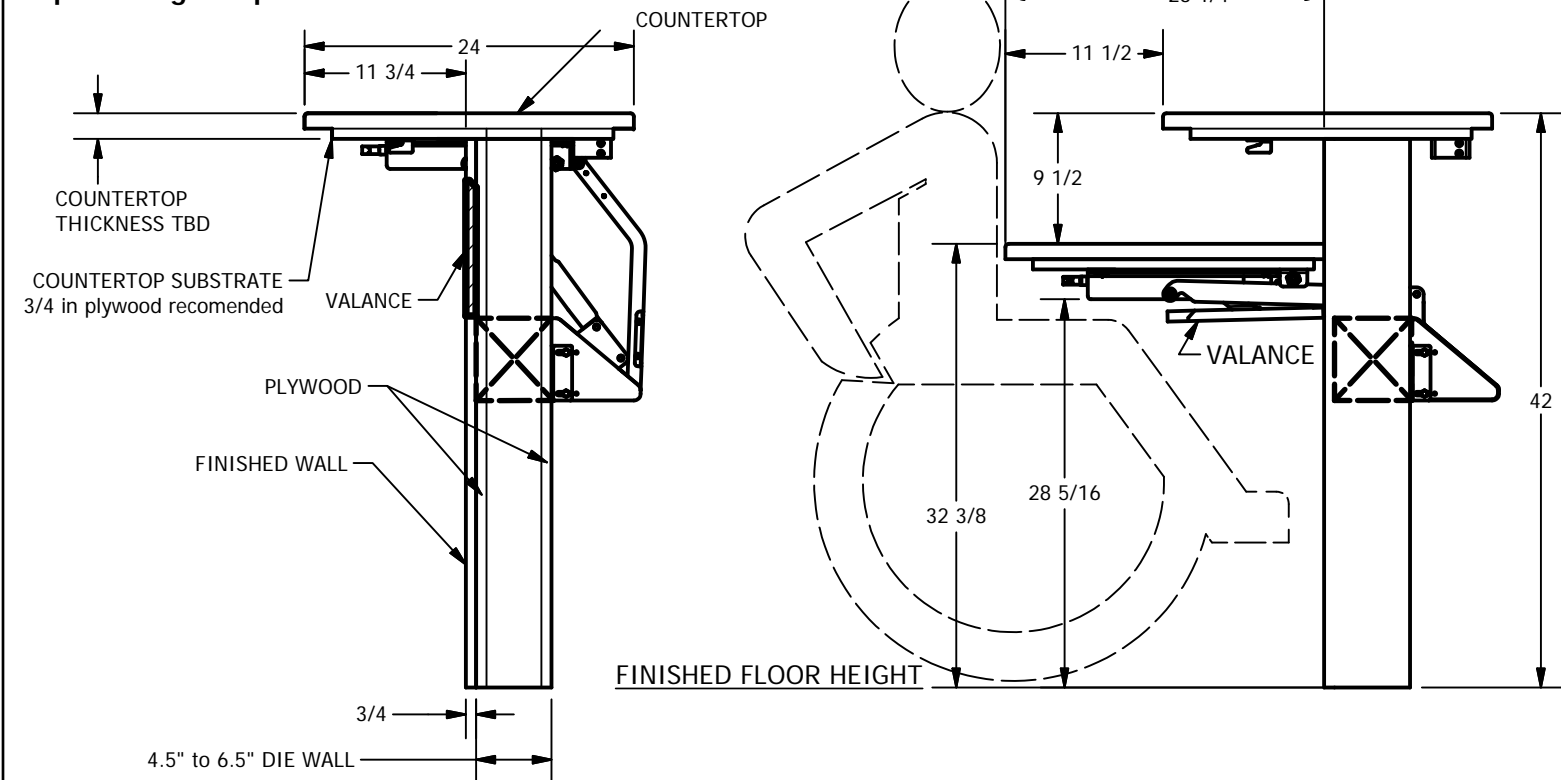
- (50) #8 x 3/4 in. Stainless Steel, Pan-Head, Phillips Drive Sheet Metal Screw
- (8) #8 x 2.0 in. Stainless Steel, Pan-Head, Phillips Drive Sheet Metal Screw
- (14) 1/4 in x 1-1/2 in. Stainless Steel, Hex-Head, Leg Screw
- Tape measure
- Power Drill/Drill set
- Socket Set
- Level

INCLUDED HARDWARE

Insure all included hardware is on hand.

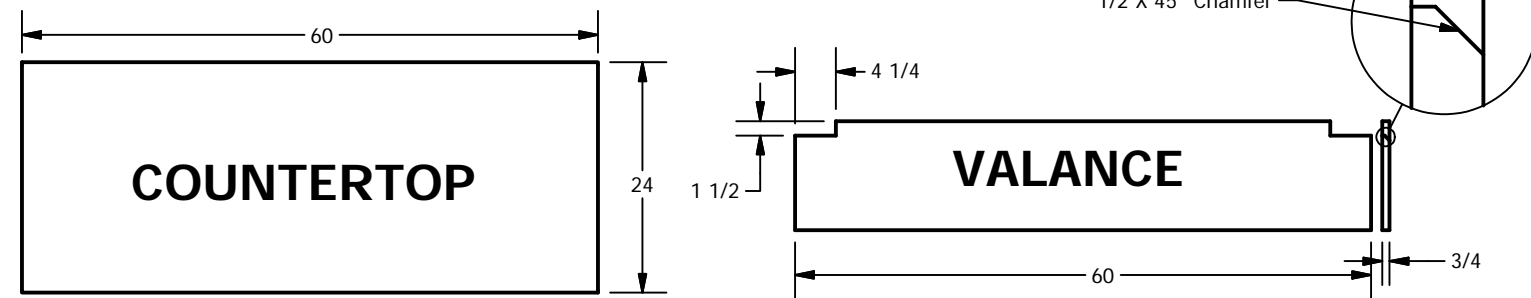


STOP: This is a typical guide. See architectural shop drawing for specific details.



SIZES

-RECOMMENDED SIZES FOR THE COUNTERTOP AND VALANCE.



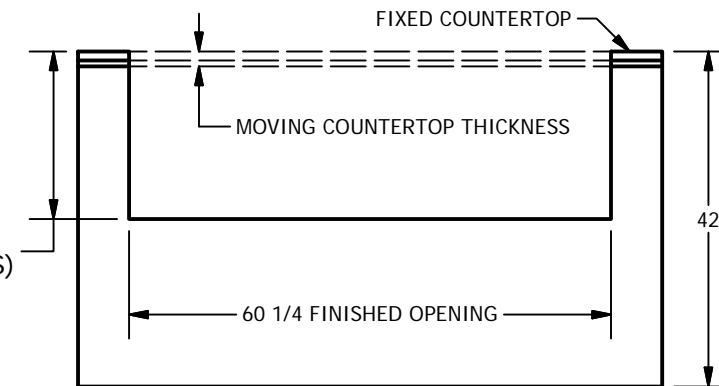
EXAMINATION

STOP: This is a general guide. All measurements must be verified by the installer.

-Verify the finished opening

NOTE: The finished opening height is dependent on the moving countertop thickness.
(19 1/16 + moving countertop thickness)

FINISHED OPENING
(19 1/16 + MOVING COUNTERTOP THICKNESS)



INSTALLATION

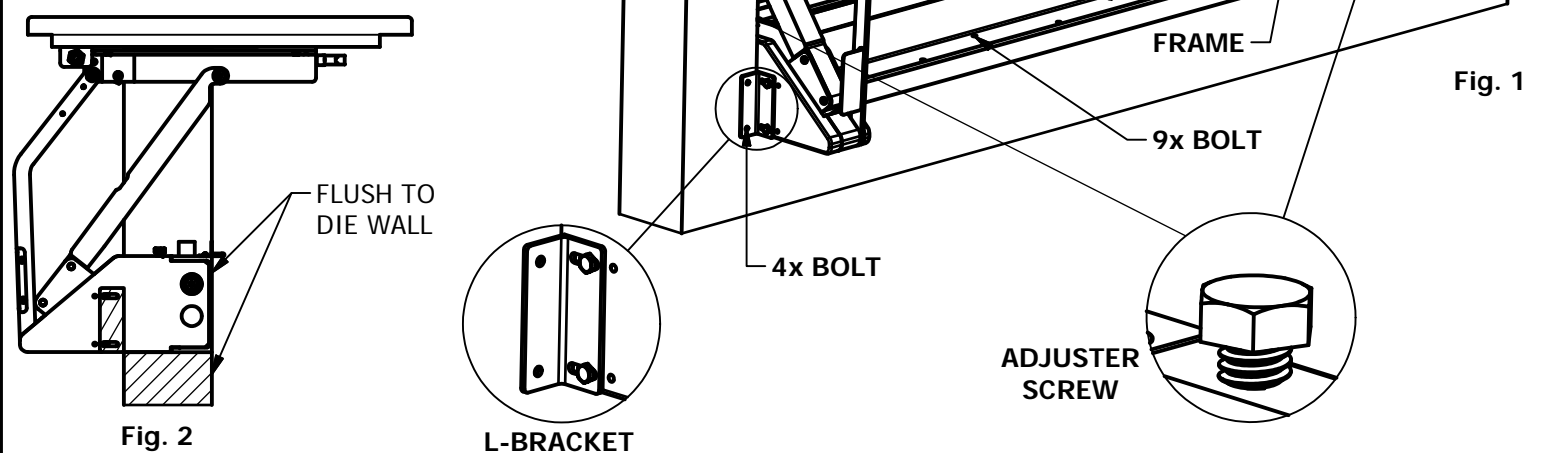
CAUTION: Verify that the SAS is in the up position and both adjuster screws (one on each side) are tight. (Fig. 1)
-Must be in the up position to tighten.

Step 1 - Installing SAS into die wall.

- Remove rear cover by sliding up and out. (Not shown)
- Position the Serv-A-SYST flush to the front of die wall. (Fig. 2)
- Level Serv-A-SYST frame to the fixed countertop. (Fig. 1)

CAUTION: Fixed countertop may not be level to floor.

- Adjust side L-brackets as needed for die wall thickness. (Fig. 1)
- Secure Serv-A-SYST using 1/4 x 1-1/2 in. lag bolts to the die wall using the 9 holes on the frame add the 4 holes on the L- brackets.



CounterBalance

For more information visit www.cbal.com. Or contact sales by email at sales@cbal.com or by phone at 215-957-9260. Serv-A-SYST is a product of CounterBalance Corporation© 2012

Instructions IN2756, Rev A, MAY 6, 2013

INSTALLATION GUIDE (SIDE B)

CAUTION: APPLYING EXTRA WEIGHT OR FORCE TO THE COUNTERTOP ABOVE THE DESIGNED WEIGHT WILL CAUSE THE COUNTERTOP TO DROP DOWN. DO NOT LEAN ON COUNTERTOP.

Step 2 - Attach countertop substrate and countertop.

-From underneath attach countertop substrate to countertop frame using #8 x 3/4, SS screws at the 6 setup slot locations. (Fig. 3)

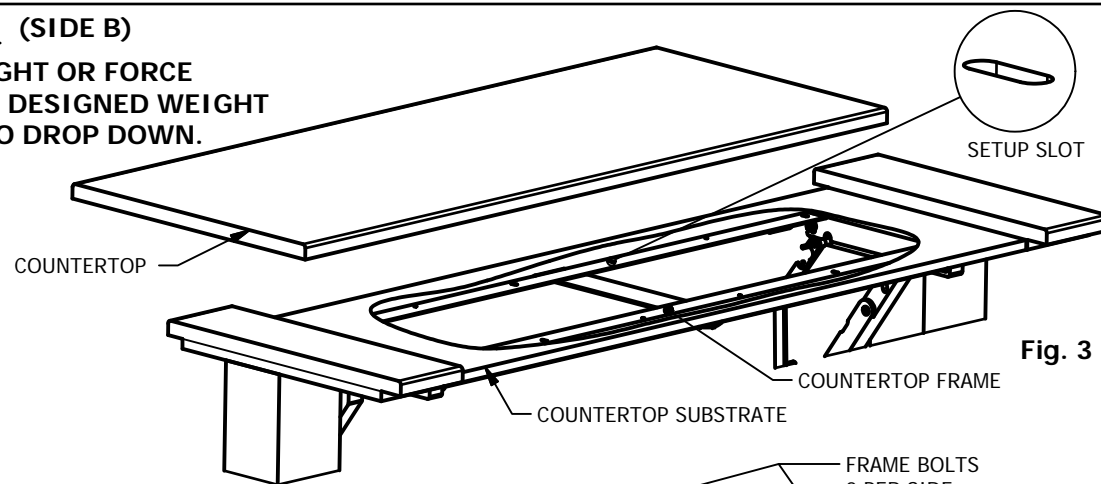


Fig. 3

-Attach countertop to substrate. (See approved shop drawings for details.)

STOP: ALLOW PROPER TIME FOR ADHESIVE TO SETUP BEFORE PROCEEDING TO THE NEXT STEP.

Step 3 - Balance countertop

-With the Serv-A-SYST in the up position turn each adjuster screw 1 full turn counterclockwise (⤵). Then try to move countertop down to check for balance. (Fig. 1)

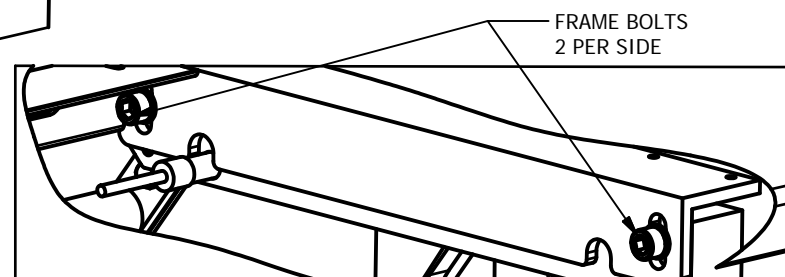


Fig. 4, TOP RIGHT CUT THRU

-Repeat step until countertop is balanced. Countertop is adjusted properly when it will remain stationary when released in any position.

Step 4 - FINAL ALIGNMENT

-Loosen the four frame bolts along with the 6 setup screws in Step 2 (DO NOT REMOVE). (Fig. 4)

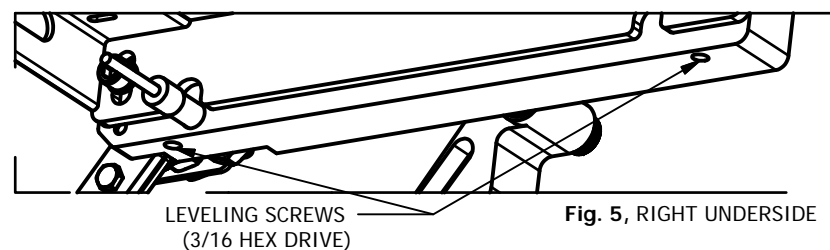


Fig. 5, RIGHT UNDERSIDE

-Using the 4 leveling screws align countertop, front to back and up and down, with the fixed countertop. (Fig. 5)

-Once aligned retighten the 4 frame bolts

-Secure the 6 countertop setup screws. Finish securing countertop substrate by screwing into the 14 remaining holes with #8 x 3/4 SS screws.

Step 5 - Install rear spring latch.

-Attach both rear latches 1/2 in from back edge of the countertop frame and flush with moving countertop using #8 x 3/4 in SS screws. (Fig. 6)

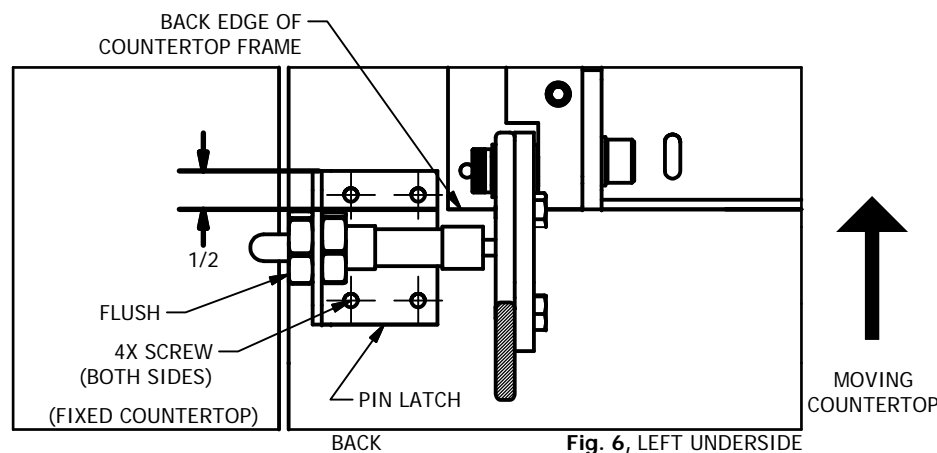


Fig. 6, LEFT UNDERSIDE

-Align rear pin receivers with pin latches and flush with fixed countertop. (Fig. 7)

NOTE: Verify receiver is in the proper orientation. (Fig. 8)

-Attach pin receivers using #8 x 2 in SS screws.

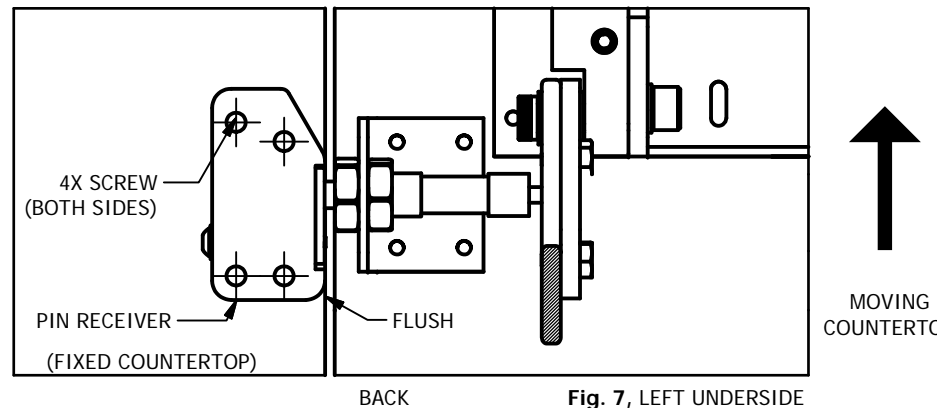


Fig. 7, LEFT UNDERSIDE

Step 5 - Continued

-Check for proper pin alignment. Both the left and right pins should automatically engage when countertop is moved into upright position. Adjust as necessary using the adjustment screws. (Fig. 8)

STOP: Do not proceed to next step until rear latch is functioning properly.

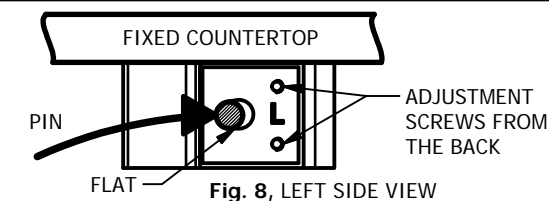


Fig. 8, LEFT SIDE VIEW

Step 6 - Install front catches.

-Attach both front pins flush with the front edge of the countertop frame and flush with moving countertop using #8 x 3/4 in SS screws. (Fig. 9)

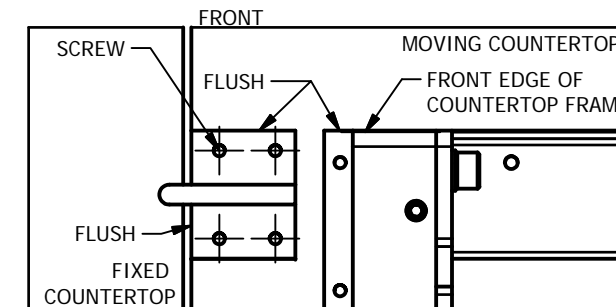


Fig. 9, LEFT UNDERSIDE

-Align both front catches with front pins and flush with fixed countertop. (Fig. 10)

NOTE: Verify pin catch is in the proper orientation. (Fig. 11)

-Attach front catches using #8 x 3/4 in SS screws.

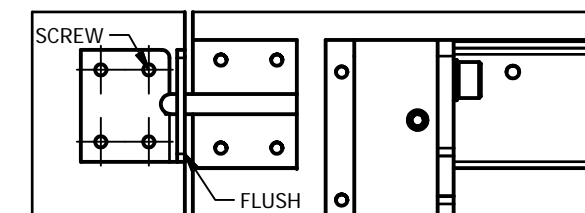


Fig. 10, LEFT UNDERSIDE

-Check for proper pin alignment. Pins should not drag or scrape when countertop is moved.

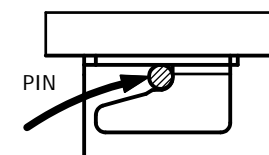


Fig. 11, LEFT SIDE VIEW

Step 7 - Install front valance and valance arms.

-Attach valance panel to piano hinge using #8 x 3/4 SS screws. (Fig. 12)
 -With the valance in the upright position align valance arm as shown. (Fig. 12)
 -Offset washer surface slightly from front arm surface. Secure using #8 x 3/4, SS screws. (Fig. 13)

CAUTION: Valance arm must be parallel and aligned with the front arm to assure smooth function.

NOTE: Valance Arm can be moved up or down to adjust the angle of the valance panel.

-No maintenance required.

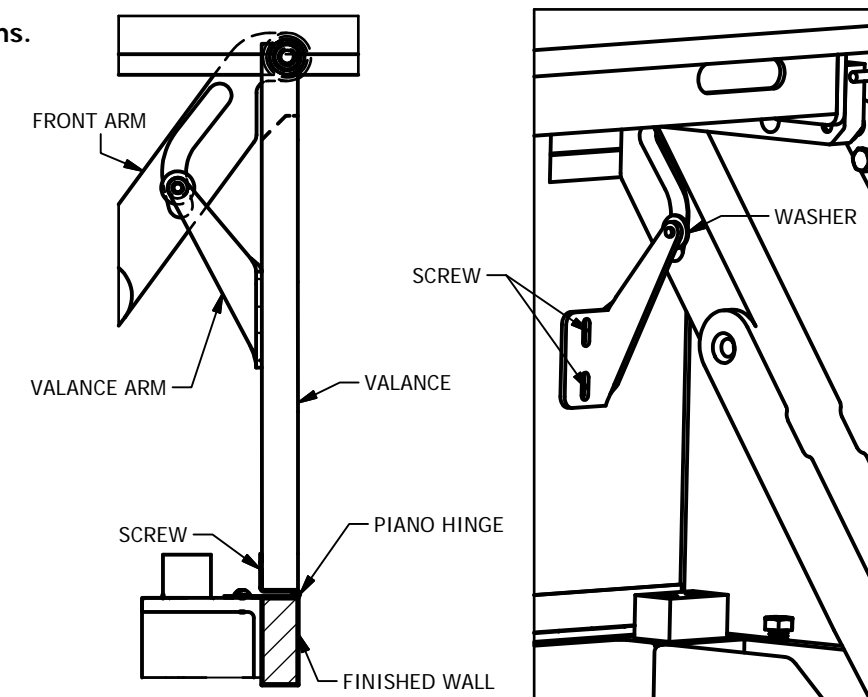


Fig. 12, LEFT SIDE VIEW

Fig. 13, LEFT SIDE VIEW